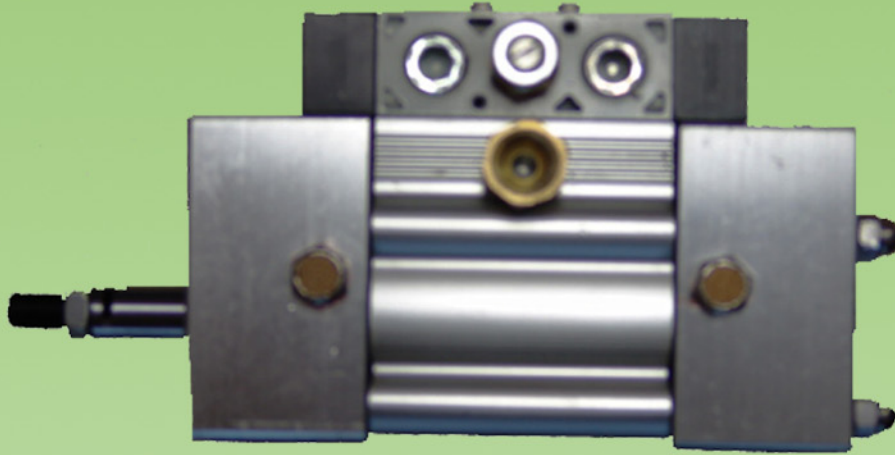


# RECIPROCATING CYLINDER

## 1 1/2 bore x 1" stroke



Side



Top

- 5 to 60 cycles/minutes
- 145 PSIG Max - Air Pressure
- Metering Valve to control cycle/min.

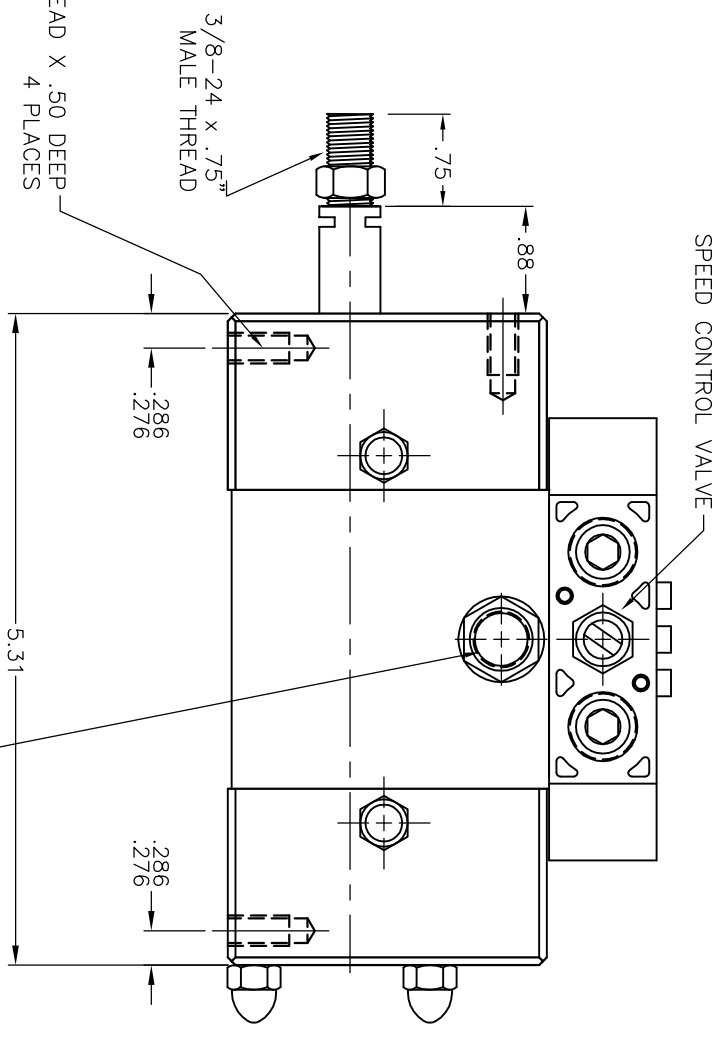
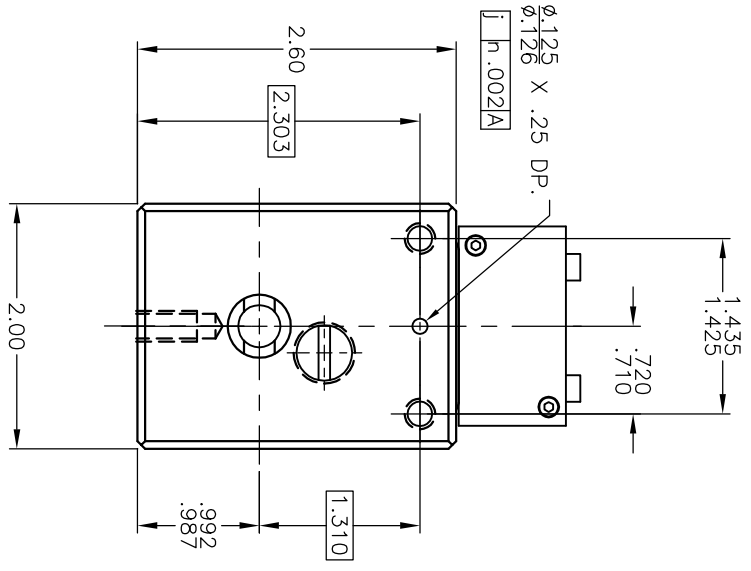


Bottom



13735 Beta Road  
Dallas, TX 75244  
Tel: (972) 233-6712  
Fax: (972) 233-8039  
info@burnscontrols.com  
www.burnscontrols.com

REVISIONS			
NUMBER	BY	DATE	



- NOTES:
1. 1 1/2" BORE
  2. 1" STROKE
  3. 1/2" STAINLESS STEEL ROD
  4. SPECIAL ROD END
  5. SPECIAL TUBE/MANIFOLD FOR L1 VALVE
  6. STAINLESS STEEL HARDWARE
  7. COMMON EXHAUST WITH METERING VALVE
  8. CLEAR ANODIZE
  9. BUMPER HEAD AND CAP

PART #: RECIP CYL1.5X1

**BURNS** 13735 BETA ROAD  
**CONTROLS COMPANY** DALLAS, TX. 75244  
 (800) 442-2010

CUSTOMER: **BCC Internal**

SCALE: NTS	ACAD NO.	DRAWN BY: MH
DATE: 7/17/08	PAGE: 1 OF 1	REVISED:
DESCRIPTION: RECIPROCATING CYLINDER		DRAWING NO. RECIP CYL1.5X1

MACHINING TOLERANCES UNLESS OTHERWISE SPECIFIED  
 ANGULAR ± 1/2°  
 FRACTIONAL ± 1/64  
 2 PLACE DECIMAL ± .010  
 3 PLACE DECIMAL ± .005

This drawing, related detail drawings, and/or technical information supplied are the property of BURNS CONTROLS CORP. All equipment design and application data shown herein is considered to be CONFIDENTIAL. No use or disclosure thereof may be made without prior written permission from BURNS CONTROLS CORP.